

PRODUCT INFORMATION PACKET

Model No: 048C34D2028
Catalog No: O011
1/2,3450,DP,48NZ,1/60/115/230
Single Phase



Regal and Marathon are trademarks of Regal Beloit Corporation or one of its affiliated companies.

©2018 Regal Beloit Corporation, All Rights Reserved. MC017097E





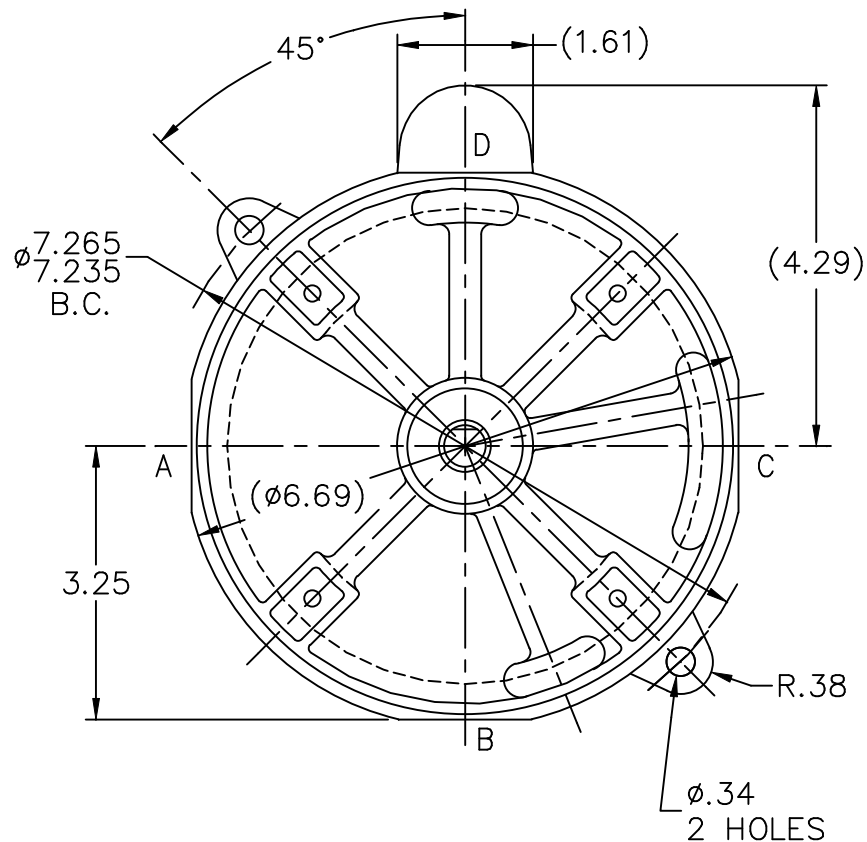
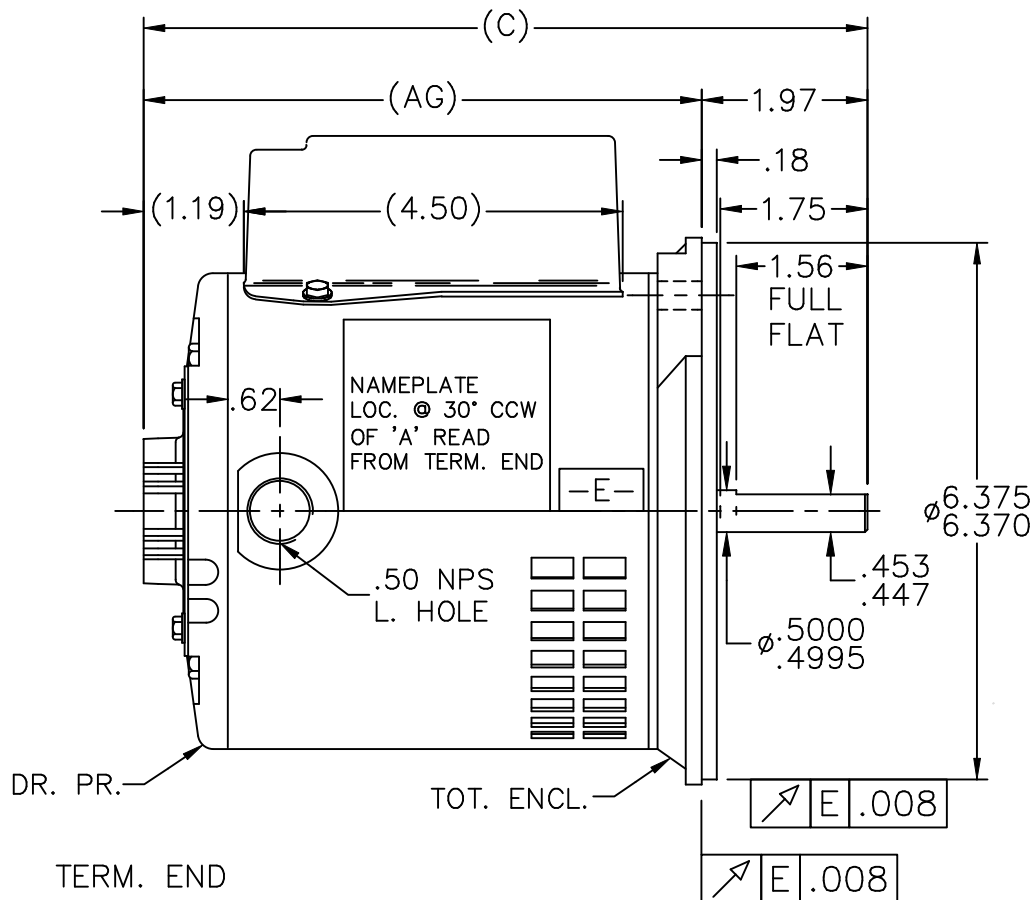
Nameplate Specifications

| | | | |
|----------------------------|----------------------|------------------------|-----------------------|
| Output HP | 0.50 Hp | Output KW | 0.37 kW |
| Frequency | 60 Hz | Voltage | 115/208-230 V |
| Current | 7.4/3.5-3.7 A | Speed | 3450 rpm |
| Service Factor | 1 | Phase | 1 |
| Efficiency | 62 % | Duty | Continuous |
| Insulation Class | B | Design Code | NO DESIGN CODE |
| KVA Code | L | Frame | 48NZ |
| Enclosure | Drip Proof | Overload Protector | Manual |
| Ambient Temperature | 40 °C | Drive End Bearing Size | 6203 |
| Opp Drive End Bearing Size | 6203 | UL | Recognized |
| CSA | Y | CE | Y |
| IP Code | 12 | | |

Technical Specifications

| | | | |
|-----------------------|--------------------------------------|-----------------------|-----------------------------------|
| Electrical Type | Capacitor Start Induction Run | Starting Method | Across The Line |
| Poles | 2 | Rotation | Selective Counterclockwise |
| Mounting | Round | Motor Orientation | Horizontal |
| Drive End Bearing | Ball | Opp Drive End Bearing | Ball |
| Frame Material | Rolled Steel | Shaft Type | Single Special Extension |
| Overall Length | 10.84 in | Frame Length | 7.25 in |
| Shaft Diameter | 0.500 in | Shaft Extension | 1.97 in |
| Assembly/Box Mounting | F1 Only | | |
| Outline Drawing | A-SS403776-725 | Connection Diagram | A-EE9002M |

This is an uncontrolled document once printed or downloaded and is subject to change without notice. Date Created: 06/29/2018

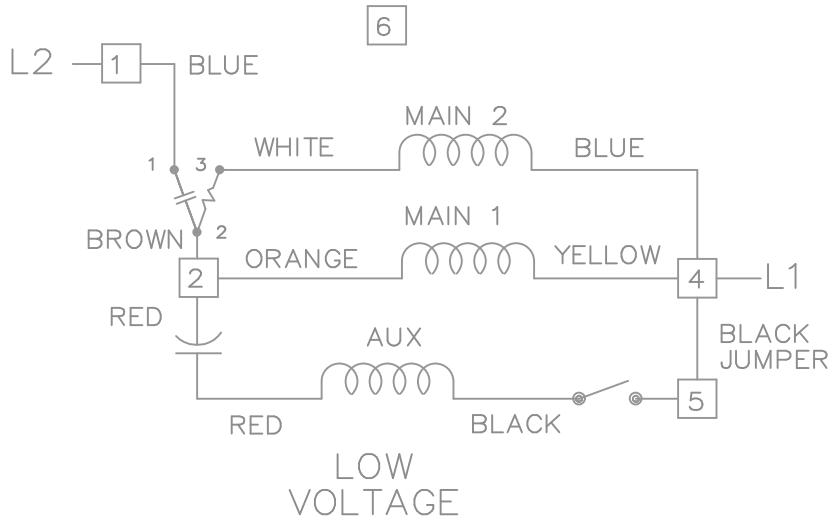


| DASH | FRAME | C | AG |
|------|-------|-------|------|
| 650 | 48N | 10.09 | 8.12 |
| 700 | 48N | 10.59 | 8.62 |
| 725 | 48N | 10.84 | 8.87 |

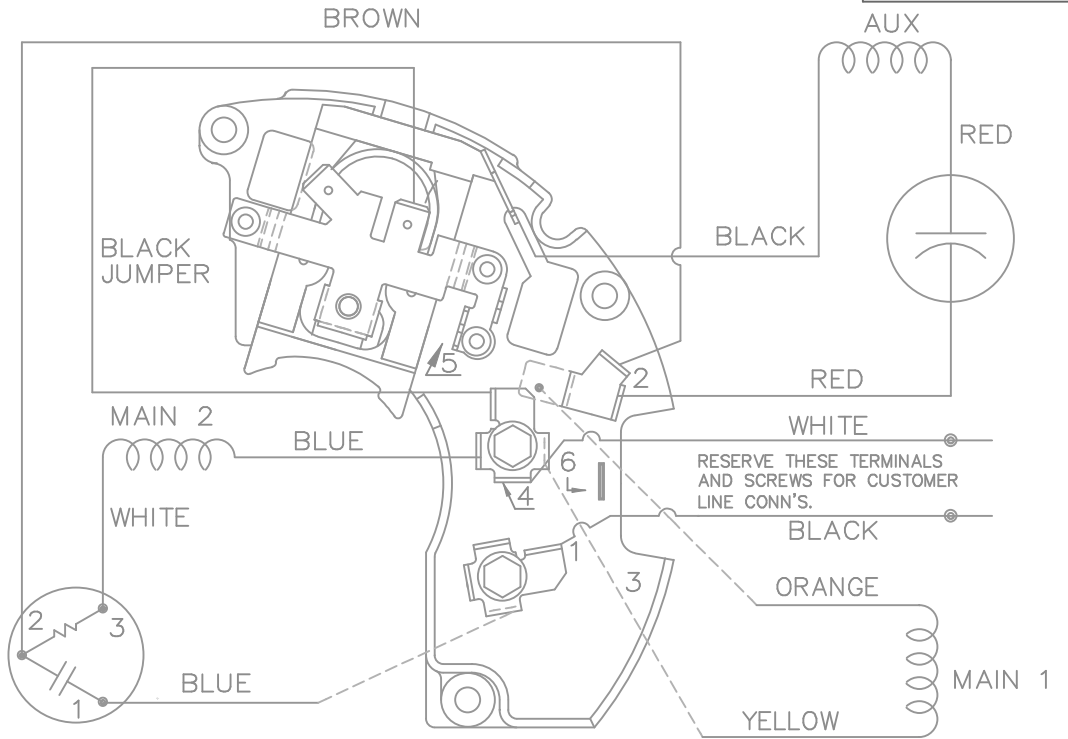
LEAD DESCRIPTION:
 2 LEADS, 1 BLACK, AND 1 WHITE,
 WITH .50 BARE WIRE STRIP 20.00"
 LONG. EXIT LEAD HOLE

| | | | | TOLERANCES UNLESS SPECIFIED | | MARATHON ELECTRIC | DRAWN SP 01-01-2009 | | | | | |
|-----|------------------|--|-----------|-----------------------------|------------|-------------------------|---------------------|---------------|-------------|------|----|------|
| | | | | DEC. | INCHES | | CHK | NB 01-01-2009 | | | | |
| | | | | .X | ±.1 | TITLE OUTLINE 48 FR. | APPD SP 01-01-2009 | | | | | |
| | | | | .XX | ±.03 | | SCALE 7=16 | | | | | |
| | | | | .XXX | ±.005 | | REF SS75943 | | | | | |
| | | | | .XXXX | ±.0005 | | FMF 08-2130 | | | | | |
| 01 | DRAWING REVISED. | | SP | 1/31/2009 | | MAT'L. | PREV | | | | | |
| NO. | REVISION | | BY & DATE | CHK | ANG | FINISH | | | | | | |
| | | | | RFP | 01-01-2009 | CAD FILE | SS403776 | SIZE | DRAWING NO. | PAGE | OF | REV. |
| | | | | DIST | WP | | | A | SS403776 | | | 01 |

THIS DRAWING IN DESIGN AND DETAIL IS OUR PROPERTY AND MUST NOT BE USED EXCEPT IN CONNECTION WITH OUR WORK ALL RIGHTS OF DESIGN AND INVENTION ARE RESERVED THIS IS AN ELECTRONICALLY GENERATED DOCUMENT - DO NOT SCALE THIS PRINT

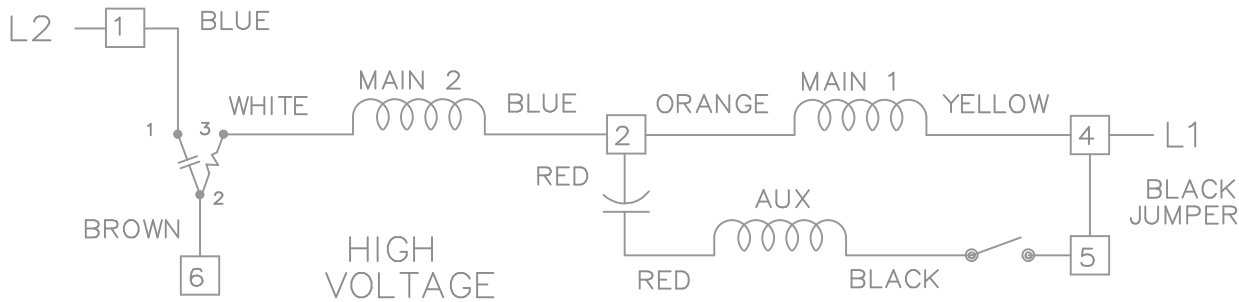


DUAL VOLTAGE CAPACITOR START REVERSIBLE ON TERM BOARD WITH OVERLOAD PROTECTION



VIEWING TERM END

LOW VOLTAGE CCW ROTATION SHOWN.



FOR HIGH VOLTAGE CONNECT BROWN TERM 2 TO TERM 6. CONNECT BLUE TERM 4 TO TERM 2.

TO REVERSE ROTATION EITHER VOLTAGE INTERCHANGE RED LEAD WITH BLACK LEAD.

| | | | | TOLERANCES UNLESS SPECIFIED | | MARATHON ELECTRIC | DRAWN BW 02-22-1990 | | | | |
|--|-----------------------------|----------|----------------|-----------------------------|--------|--|---------------------|-------------|------------|-------|------|
| | | | | DEC. | INCHES | | CHK | ML | 02-22-1990 | | |
| | | | | .X | ± - | | APPD | GK | 02-22-1990 | SCALE | 1=1 |
| 3 | ROUTING OF BLACK JUMPER | CN 35440 | BJK 08-20-2002 | .XX | ± - | TITLE CONNECTION DIAGRAM | | | | REF | |
| 2 | REVISED BLACK LINE LOCATION | CN 6427 | RM 01-28-1991 | .XXX | ± - | 48 FR. DUAL VOLTAGE REVERSIBLE | | | | | |
| 1 | NEW DRAWING | | BW 02-22-1990 | .XXXX | ± - | MAT'L. | | | | FMF | |
| NO. | REVISION | | BY & DATE | CHK | ANG | FINISH <td></td> <td></td> <td></td> <td>PREV</td> <td></td> | | | | PREV | |
| THIS DRAWING IN DESIGN AND DETAIL IS OUR PROPERTY AND MUST NOT BE USED EXCEPT IN CONNECTION WITH OUR WORK ALL RIGHTS OF DESIGN AND INVENTION ARE RESERVED THIS IS AN ELECTRONICALLY GENERATED DOCUMENT - DO NOT SCALE THIS PRINT | | | | RFP | | CAD FILE EE9002M | SIZE | DRAWING NO. | PAGE | OF | REV. |
| | | | | DIST | WP | | A | EE9002M | | | 3 |

